

Post Hole Digger

From...



Rolin Mfg. • PO Box 35 • New Salem, ND • (701) 843-7581 • rolinmfg@westriv.com



Hub includes sealed bearings. Power unit has a Parker motor and roller chain with speed reduction.

- Fits all loaders and ski steers – 4" through 24" augers.
- 4 ½ ft. long with 12", 18" and 36" extensions available.
- Quick attach bracket mounts leave draw bars free.
- Self-aligning – reversible.
- Good penetration due to applied down pressure.
- Better visibility
- 10 to 20 gals. per minute needed.
- 1500 lbs. of hydraulic pressure.
- Plugs into grapple fork hydraulics or tractor outlet.

Hub with sealed bearings for long-lasting service.



- Quick attach bucket mounts slip over all loaders and skid steers. Clamps on with set screws.

- For certain buckets a bolt can be put through the bucket for a more secure hold.



- Bearing eliminates side draft on motor.

- Comes with two 7-foot hoses.

Hard surface bit with longer point for better penetration.



Replaceable oversize bits protect augers against excessive wear.



Hundred of satisfied customers have been using Rolin Mfg. post hole diggers since they hit the ground in 1988.

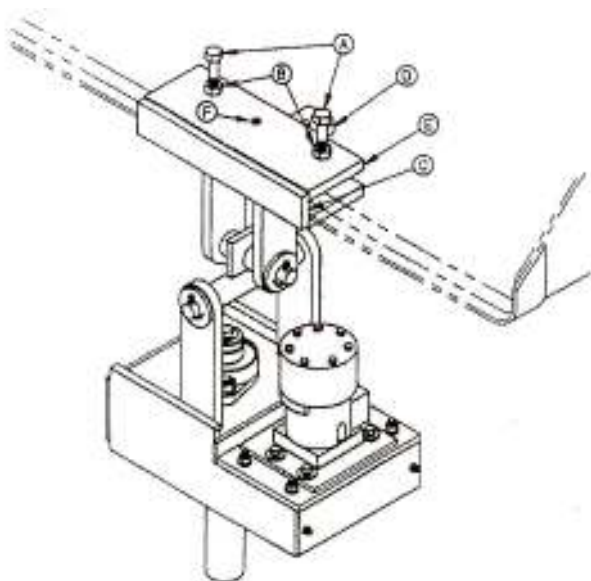
Installation Instructions

! Warning !

To avoid person injury, shut off vehicle and relieve all hydraulic pressure. Block loader bucket using fixed mechanical stops. Wear eye protection and wear appropriate apparel.

Set parking brake and block wheels. Follow all loader or vehicle manufacturer's warnings and recommendations.

▲ WARNING	
High-Pressure Fluid Hazard	
To prevent serious injury or death:	
<ul style="list-style-type: none"> • Relieve pressure on system before repairing or adjusting or disconnecting. • Wear proper hand and eye protection when searching for leaks. Use wood or cardboard instead of hands. • Keep all components in good repair. 	



MOUNTING

- 1) Insert opening of item "E" over edge of bucket until bucket edge stops against back edge of item "e" at Point "C".
- 2) Tighten lock bolts "A". Lock Bolts "A" with lock nuts "B".
- 3) Tighten retaining bolt on underside of item "E" and lock in place with lock nut (not shown).
- 4) All quick attach brackets have a hold in the center of bracket for a more secure mount to buckets that don't accommodate the quick attach mounting "F".
- 5) Route hydraulic hoses in such a manner as to avoid pinch points or hose strain.
- 6) Attach hoses to loader attachment hydraulic circuit using appropriate hydraulic couplers (not provided). Read loader or vehicle manufacturer's manuals for additional information.

Alternate Mounting

Note: Some operators may wish to use the optional mounting item "D" to attach the auger. Drill appropriate holes in loader bucket and attach using 3/4 inch, grade 5 or better bolts.